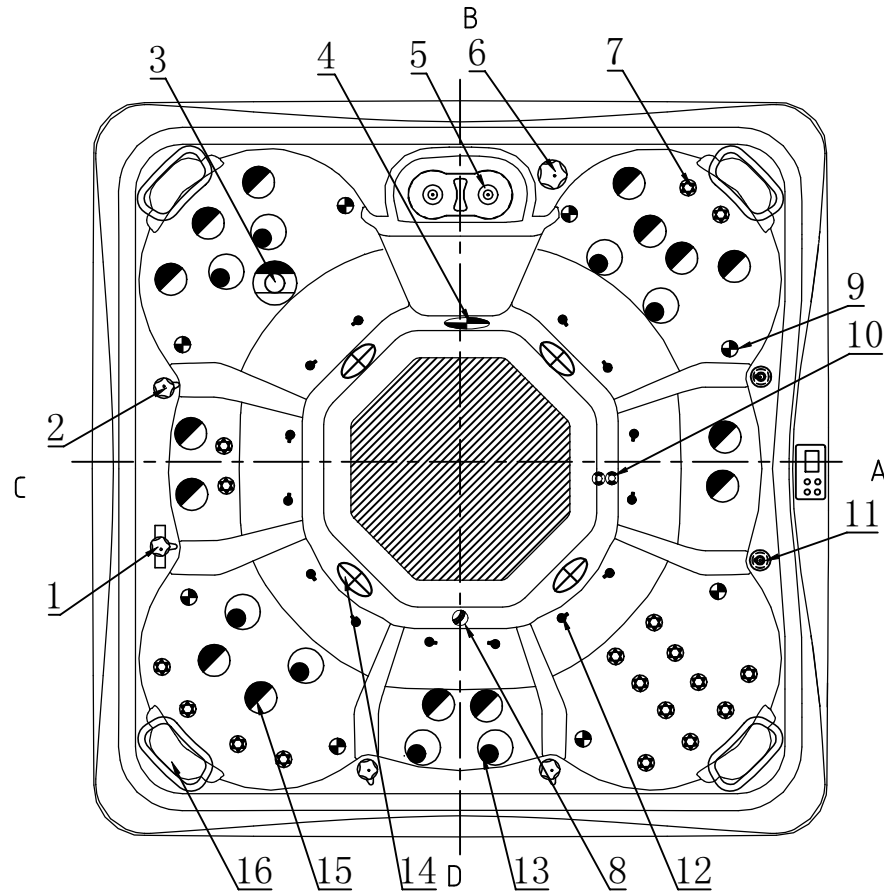


Notes: Due to manufacturing tolerances, there could be some minor differences between the actual spa and the drawing above. If site planning is critical to such tolerances, be sure to measure your actual spa. All specifications are subject to change without notice. Some components may be optional on your spa

12		Blower (depends on specifications)	1	pcs
11		Heat pump ready unit(Optional)	1	pcs
10		Subwoofer(Optional)	1	pcs
9		In.stream(Optional)	1	pcs
8		Transducer Speaker(Optional)	2	pcs
7		WIFI(Optional)	1	pcs
6		Single Speed Pump	2	pcs
5		Circulation Pump	1	pcs
4		Control Panel	1	pcs
3		CD Ozone Generator	1	pcs
2		Control Box	1	pcs
1		External Drain	1	pcs
NO.	Icon	Description	Qty	Unit

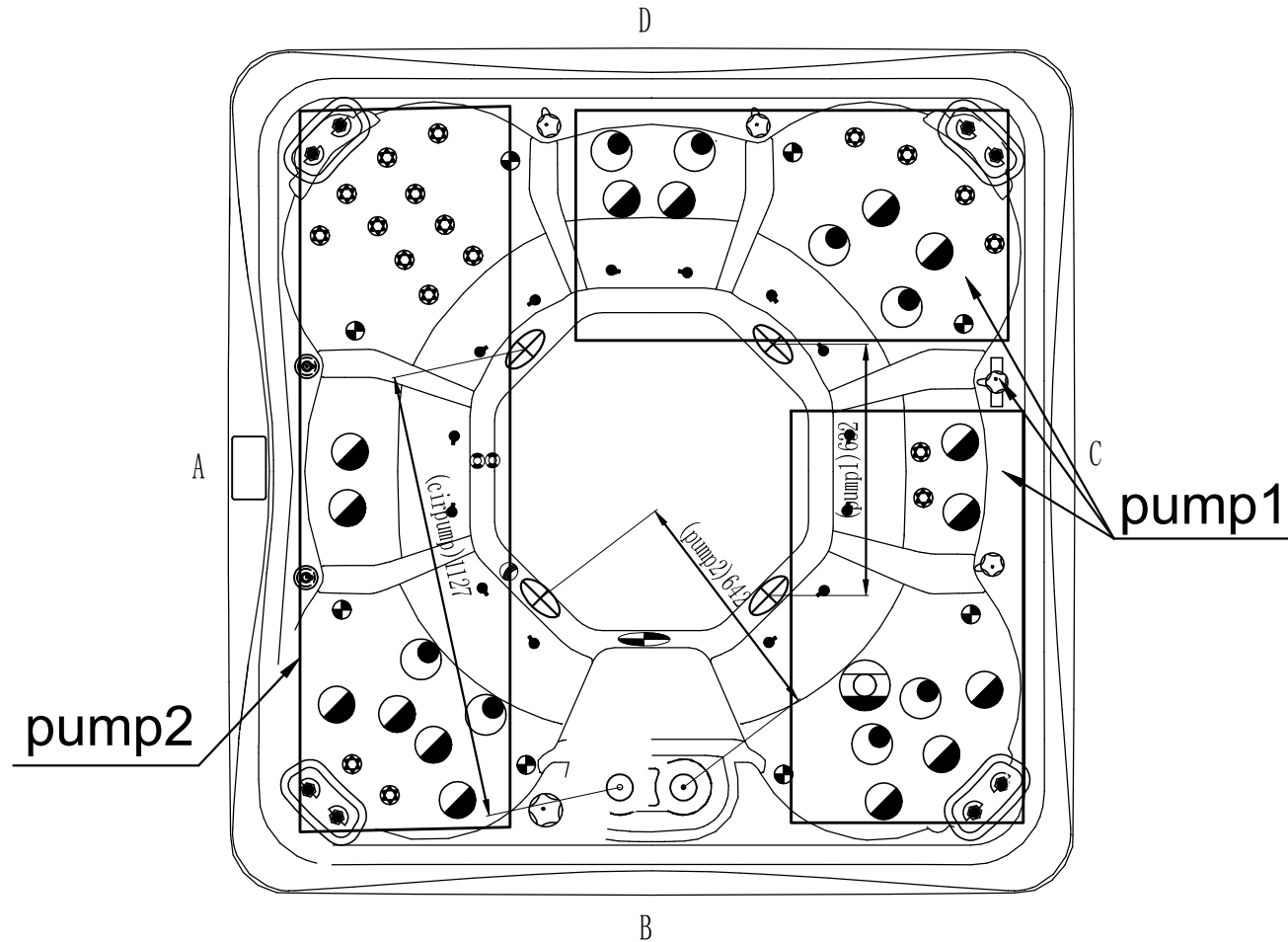
# Fitting



Notes: Due to manufacturing tolerances, there could be some minor differences between the actual spa and the drawing above. If site planning is critical to such tolerances, be sure to measure your actual spa. All specifications are subject to change without notice. Some components may be optional on your spa. For instance HEB530 configuration with 1" air jet, HEA530 not configuration with 1" air jet.

16		Headrest	4	pcs
15		3 inch Jet Internal-Single Spin	15	pcs
14		2" Suction (full set)	4	pcs
13		4 inch Jet Internal-Single Spin	8	pcs
12		1" Air Injector Assembly-Multi-Flow-SS Face	14	pcs
11		2.5" Lifting Fountain	2	pcs
10		Ozone Injector	2	pcs
9		Perimeter LED	8	pcs
8		Stainless Steel Low Drain - 3/4" Slip	1	pcs
7		2.5 inch Jet Internal-Single Spin	18	pcs
6		Fountain valve	1	pcs
5		Filter Connector	2	pcs
4		3.5" Lampshade	1	pcs
3		5 inch Jet Internal-Single Spin	1	pcs
2		1 inch Air Controller	3	pcs
1		2 inch Water diverter valve	1	pcs
NO.	Icon	Description	Qty	Unit

# Therapy Assignment



Notes: Due to manufacturing tolerances, there could be some minor differences between the actual spa and the drawing above. If site planning is critical to such tolerances, be sure to measure your actual spa. All specifications are subject to change without notice. Some components may be optional on your spa